

ECO.100/2 spareparts FRAME

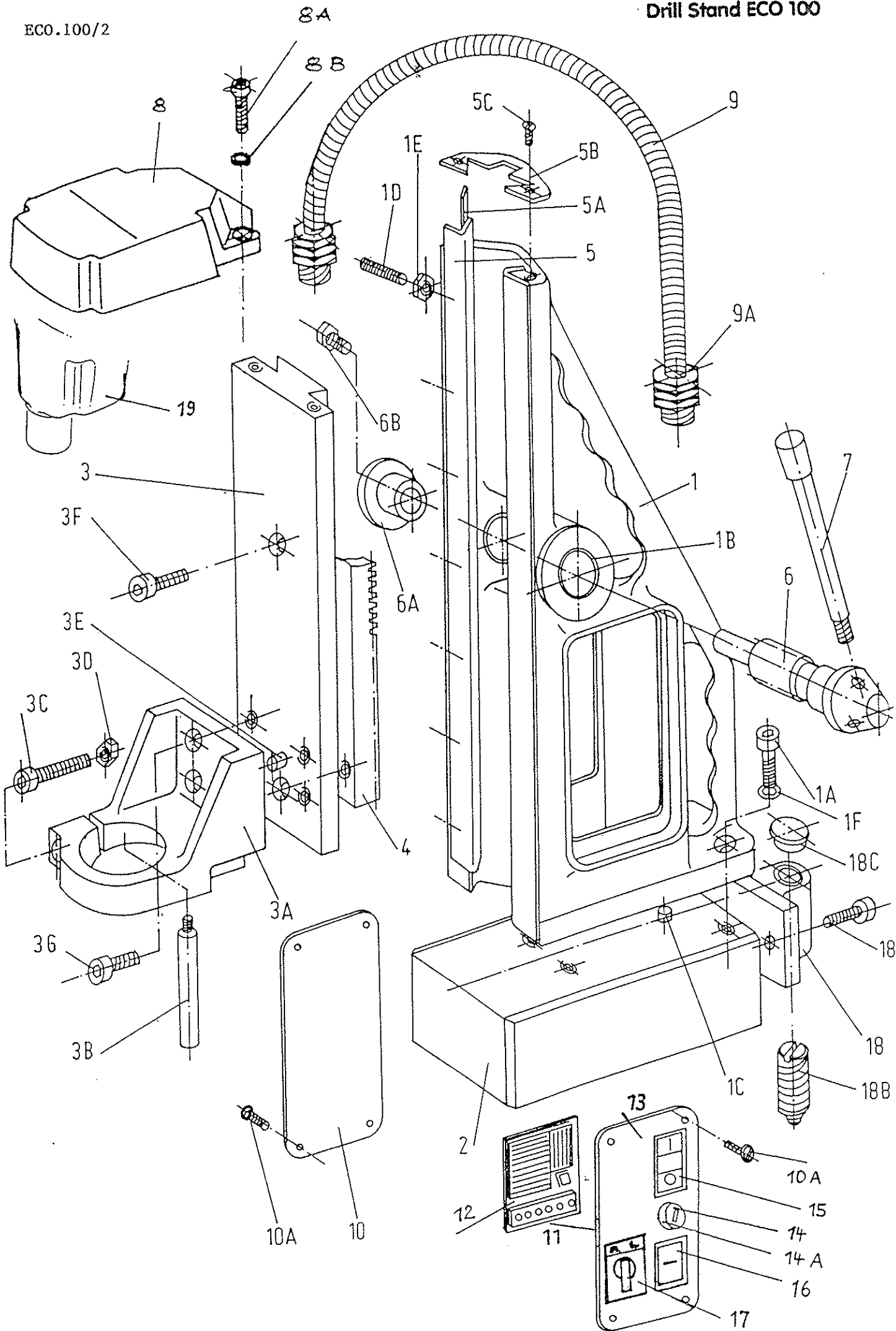
1	100.0001	Frame
1a	100.0006	Nut
1b	100.0011	Brass bush
1c	100.0016	Pin
1d	100.0021	Nut
1e	100.0026	Setting screw
1f	100.0031	Washer
2	100.0036	Magnet
3	100.0041	Slide
3a	100.0046	Motorholder
3b	100.0051	Stop pin
3c	100.0056	Screw
3d	100.0057	Nut
3e	100.0061	Fix pin
3f	100.0066	Screw
3g	100.0071	Screw
4	100.0076	Rack
5	100.0081	Brass rail set
5a	100.0086	Adjusting plate
5b	100.0091	Top plate
5c	100.0096	Screw
6	100.0101	Capstan Hub Assembly
6a	100.0106	End Bush
7	100.0116	Arm
8	100.0121	Motor fixing plate
9	100.0136	Motor cable complete
9a	020.0041	Coupling nut
10	PP.RLEU	Rear plate
12	020.0001	Control Unit
13		Front panel
14	020.0016	Fuse holder
15	020.0006	On/Off Switch
16	020.0011	Magnet Switch
17	100.0151	L/R Switch
18	020.0151	Magnet spring ball
18a	020.0156	Screw
19	100.0301	Motorunit 1400W/230v

ECO.100/2 Spareparts MOTORUNIT

1	100.0306	Screw
2	100.0311	Screw
3	100.0316	Armature 1400W/230v
	100.0317	Armature 1400W/110v
4	100.0321	Exit cap
5	100.0326	Screw
6	100.0331	Speed Control Unit 1400W/230v
7	100.0336	Adapter bush
8	100.0341	Insulation ring
9	100.0347	Armature speed disk (propellor)
10	100.0351	Bearing
11	100.0356	Screw
12	100.0361	Cable clamp Carbon brush
13	100.0366	Carbon brush set
14	100.0371	Carbon brush cap
15	100.0376	Carbon brush holder
16	100.0381	Field 1400W/230v
	100.0382	Field 1400W/110v
17	100.0386	Housing 1400W
18	100.0391	Baffle
19	100.0396	Blade Wheel
20	100.0401	Inner gear plate
21	100.0406	Washer
22	100.0411	Needle bearing
23	100.0416	Gear
24	100.0421	Gear shaft
25	100.0426	Circlip
26	100.0431	Key
27	100.0436	Drive shaft gear
28	100.0441	Adaptor ring
29	100.0446	Bearing
30	100.0451	Circlip
31	100.0456	Gear Casing
32	100.0461	Drive Shaft
33	100.0466	Bearing
34	100.0471	Circlip
35	100.0476	Adaptor ring
36	100.0481	Needle bearing
37	100.0486	Washer
38	100.0491	Gear 2-speed
39	100.0496	Key
40	100.0501	Gear Shaft
41	100.0506	Bearing
42	100.0511	Gear shaft
43	100.0516	Gear
44	100.0521	Shell (1pc.)
45	100.0526	Key
46	100.0531	Friction clutch
47	100.0536	Clutch shaft
48	040.0286	Gear switch

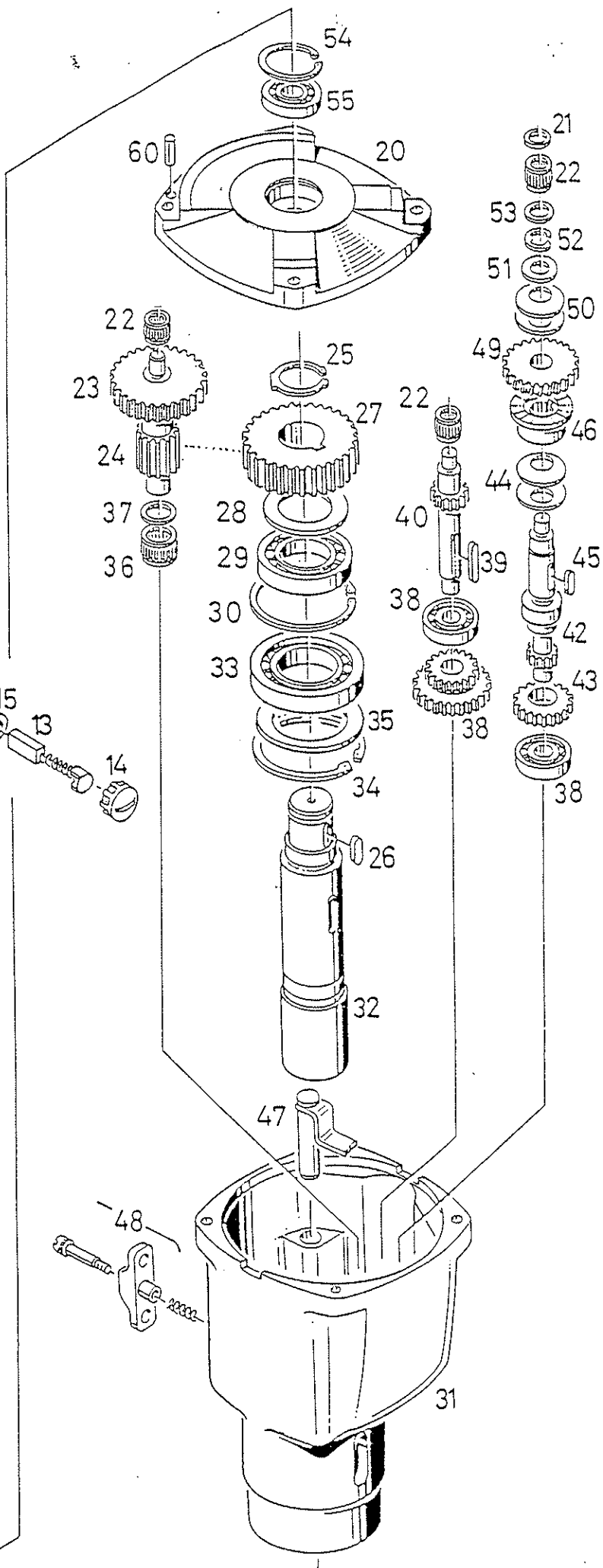
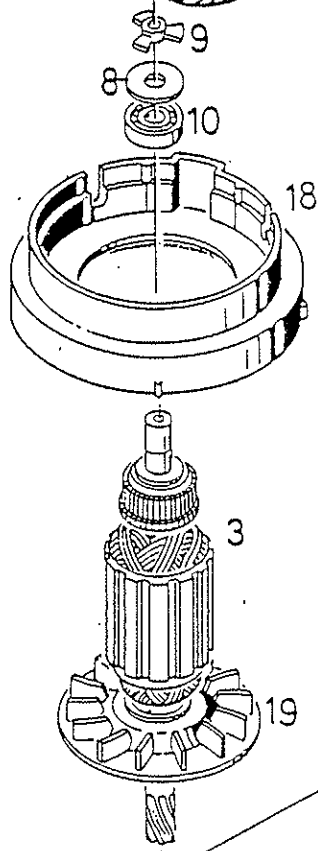
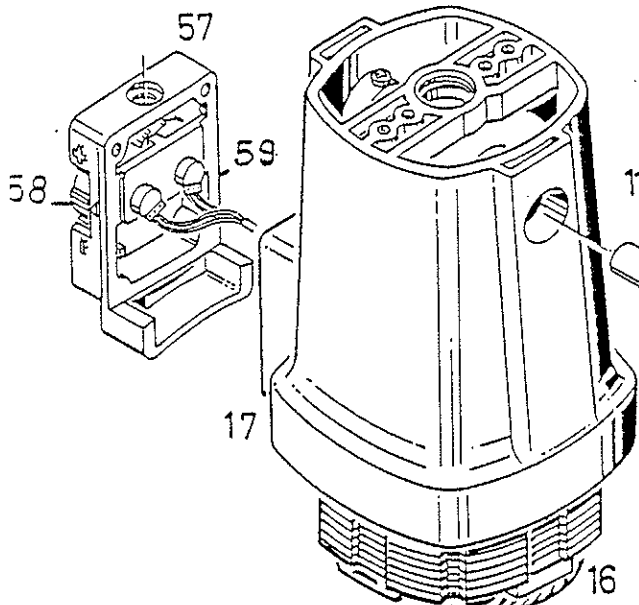
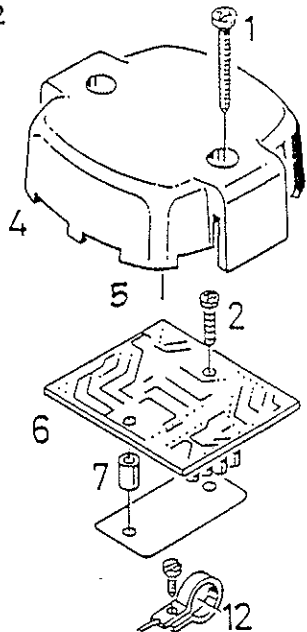
49	100.0546	First Gear 1400W
50	100.0551	Shell (1pc.)
51	100.0556	Ring Lock
52	100.0561	Circlip
53	100.0566	Washer
54	100.0571	Circlip
55	100.0576	Bearing
56	100.0581	Circlip
57	100.0586	Switch housing *
58	100.0591	Torque switch *
59	100.0596	Speed switch *
60	100.0601	Casing pin

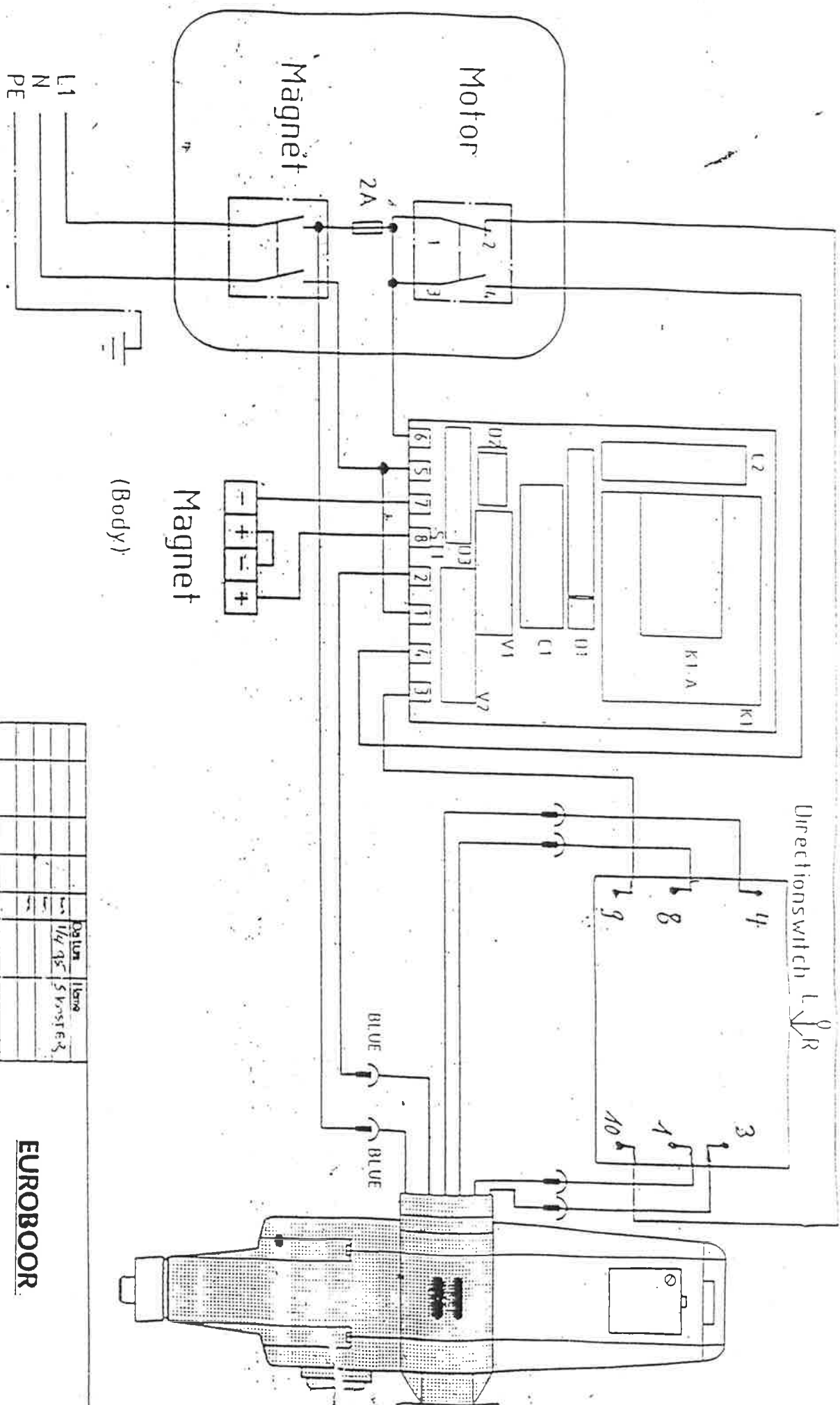
57, 58 and 59 are discontinued and replaced by 100.0569 from ECO.100/3



Motor ECO 100

ECO.100/2





Dellum		Ilona	
1/4	35	5	Kristen
Eurodoor LMS			
Holland			
079 - 3 614 990			
079 - 3 614 989			
EUROBOOR		EUROBOOR ECO 100	

ECO 100

Speed control unit ECO 100

